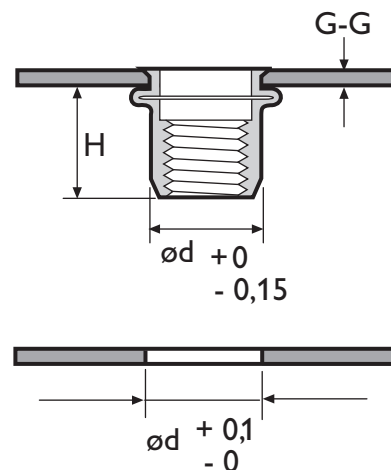
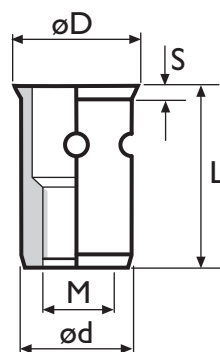


## KD-Multigrip



# TS Senkattu pienikanta

KD-niittimutterit muille materiaalivahvuuksille (G-G) voidaan valmistaa tilauksesta.

M Kierre	G-G Mat. vahvuus	$\varnothing d$	L	$\varnothing D$	S	H n.	Teräs Nimike	Alumiini Nimike	RST A2 Nimike
M4	0,5 - 4,0	7,0	13,5	8,0	0,50	8,0	T4M - 040.25 TS	A4M - 040.25 TS	E4M - 040.25 TS
	2,5 - 5,5	7,0	15,0	8,0	0,50	8,0	T4M - 055.37 TS	A4M - 055.37 TS	E4M - 055.37 TS
	4,0 - 7,0	7,0	16,5	8,0	0,50	8,0	T4M - 070.49 TS	A4M - 070.49 TS	E4M - 070.49 TS
M5	0,5 - 5,0	8,0	16,0	9,0	0,50	9,0	T5M - 050.29 TS	A5M - 050.29 TS	E5M - 050.29 TS
	3,0 - 7,0	8,0	18,0	9,0	0,50	9,0	T5M - 070.43 TS	A5M - 070.43 TS	E5M - 070.43 TS
M6	0,5 - 4,5	9,0	16,0	10,0	0,50	10,0	T6M - 045.33 TS	A6M - 045.33 TS	E6M - 045.33 TS
	0,5 - 6,0	9,0	17,5	10,0	0,50	10,0	T6M - 060.33 TS	A6M - 060.33 TS	E6M - 060.33 TS
	4,0 - 9,0	9,0	21,0	10,0	0,50	10,0	T6M - 090.61 TS	A6M - 090.61 TS	E6M - 090.61 TS
M8	0,5 - 6,0	11,0	19,5	12,0	0,60	12,0	T8M - 060.41 TS	A8M - 060.41 TS	E8M - 060.41 TS
	0,5 - 8,0	11,0	21,5	12,0	0,60	12,0	T8M - 080.45 TS	A8M - 080.45 TS	E8M - 080.45 TS
	4,5 - 11,0	11,0	25,0	12,0	0,60	12,0	T8M - 110.70 TS	A8M - 110.70 TS	E8M - 110.70 TS
	6,5 - 13,0	11,0	27,0	12,0	0,60	12,0	T8M - 130.88 TS	A8M - 130.88 TS	E8M - 130.88 TS
M10	0,8 - 7,0	13,0	25,0	14,0	0,60	16,0	T10M - 070.48 TS	A10M - 070.48 TS	E10M - 070.48 TS
	1,5 - 10,0	13,0	28,0	14,0	0,60	16,0	T10M - 100.58 TS	A10M - 100.58 TS	E10M - 100.58 TS
	5,5 - 14,0	13,0	32,0	14,0	0,60	16,0	T10M - 140.98 TS	A10M - 140.98 TS	E10M - 140.98 TS
M12	1,0 - 8,0	16,0	29,0	17,2	0,65	19,0	T12M - 080.50 TS	A12M - 080.50 TS	E12M - 080.50 TS
	2,0 - 12,0	16,0	32,0	17,2	0,65	19,0	T12M - 120.70 TS	A12M - 120.70 TS	E12M - 120.70 TS
	8,0 - 18,0	16,0	38,0	17,2	0,65	19,0	T12M - 180.120 TS	A12M - 180.120 TS	E12M - 180.120 TS