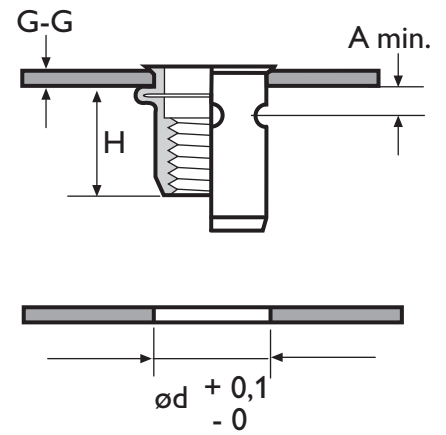
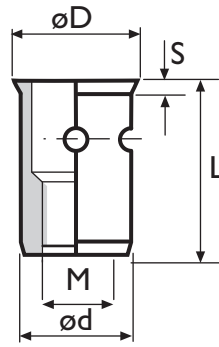


KD-Kontrolloitu muodonmuutos



TS Senkattu pienikanta

KD-niittimutterit muille materiaalivahvuksille (G-G) voidaan valmistaa tilauksesta.

M Kierre	G-G Matvahvuus	$\varnothing d$	L	$\varnothing D$	S	H n.	Teräs Nimike	Alumiini Nimike	RST A2 Nimike
M4 A=1,5	0,5 - 1,5	7,0	13,5	8,0	0,50	8,0	T4M-040.25 TS	A4M-040.25 TS	E4M-040.25 TS
	1,5 - 2,5	7,0	14,0	8,0	0,50	8,0	T4M-045.32 TS	A4M-045.32 TS	E4M-045.32 TS
	2,5 - 3,5	7,0	15,0	8,0	0,50	8,0	T4M-055.42 TS	A4M-055.42 TS	E4M-055.42 TS
	3,5 - 4,5	7,0	16,0	8,0	0,50	8,0	T4M-065.52 TS	A4M-065.52 TS	E4M-065.52 TS
	4,5 - 5,5	7,0	17,0	8,0	0,50	8,0	T4M-075.62 TS	A4M-075.62 TS	E4M-075.62 TS
M5 A=1,8	0,5 - 2,0	8,0	16,0	9,0	0,50	9,5	T5M-050.29 TS	A5M-050.29 TS	E5M-050.29 TS
	2,0 - 3,0	8,0	17,0	9,0	0,50	9,5	T5M-055.40 TS	A5M-055.40 TS	E5M-055.40 TS
	3,0 - 4,0	8,0	18,0	9,0	0,50	9,5	T5M-065.50 TS	A5M-065.50 TS	E5M-065.50 TS
	4,0 - 5,0	8,0	19,0	9,0	0,50	9,5	T5M-075.60 TS	A5M-075.60 TS	E5M-075.60 TS
M6 A=2,0	0,5 - 2,5	9,0	16,0	10,0	0,50	10,5	T6M-045.33 TS	A6M-045.33 TS	E6M-045.33 TS
	2,5 - 4,0	9,0	19,0	10,0	0,50	10,5	T6M-065.50 TS	A6M-065.50 TS	E6M-065.50 TS
	4,0 - 5,5	9,0	20,5	10,0	0,50	10,5	T6M-080.64 TS	A6M-080.64 TS	E6M-080.64 TS
	5,5 - 7,0	9,0	22,0	10,0	0,50	10,5	T6M-095.80 TS	A6M-095.80 TS	E6M-095.80 TS
M8 A=2,3	1,0 - 3,0	11,0	19,5	12,0	0,60	12,5	T8M-060.41 TS	A8M-060.41 TS	E8M-060.41 TS
	3,0 - 5,0	11,0	23,0	12,0	0,60	12,5	T8M-090.60 TS	A8M-090.60 TS	E8M-090.60 TS
	4,5 - 6,5	11,0	24,0	12,0	0,60	12,5	T8M-110.74 TS	A8M-110.74 TS	E8M-110.74 TS
	6,0 - 8,0	11,0	27,0	12,0	0,60	12,5	T8M-130.88 TS	A8M-130.88 TS	E8M-130.88 TS
M10 A=2,7	1,0 - 3,5	13,0	25,0	14,0	0,60	16,0	T10M-070.48 TS	A10M-070.48 TS	E10M-070.48 TS
	3,5 - 6,0	13,0	28,0	14,0	0,60	16,5	T10M-095.73 TS	A10M-095.73 TS	E10M-100.75 TS
	6,0 - 8,5	13,0	32,0	14,0	0,60	16,5	T10M-140.98 TS	A10M-140.98 TS	E10M-140.98 TS